

【本件リリース先】

文部科学記者会、科学記者会、
広島大学関係報道機関



広島大学

R N M N

4 11 28



RGB
80

100

0.01

34

20

12

1

80

85

1

15

85

85

80

100

6

2

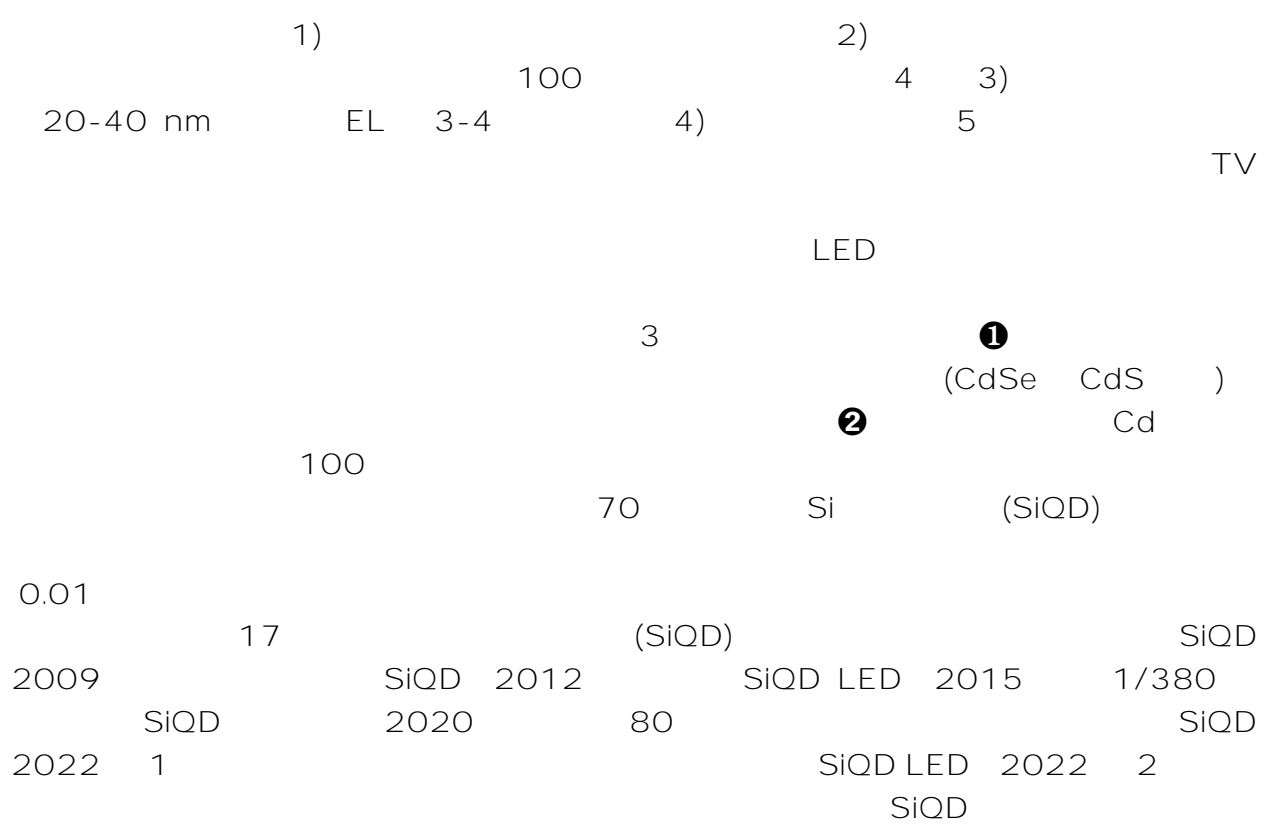
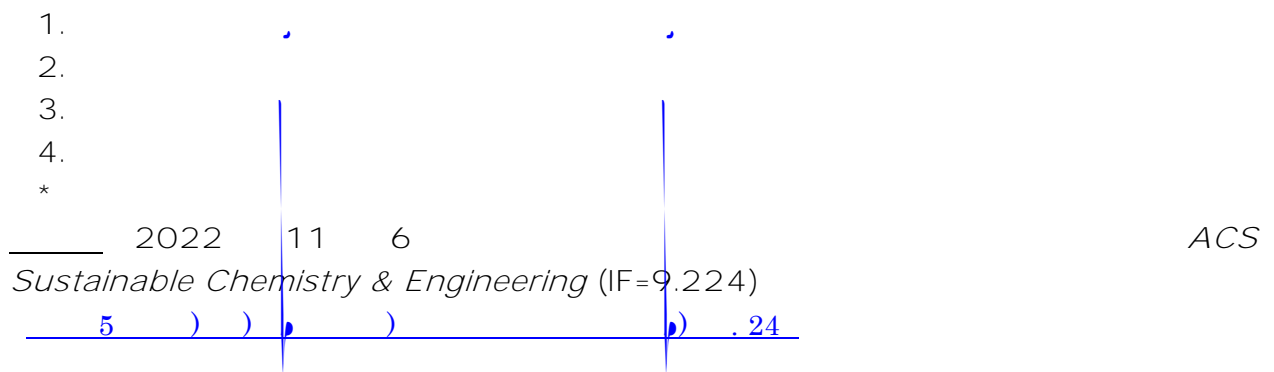
3

TV

LED VR AR
SDGs

Stability of Silicon Quantum Dots Against Solar Light/Hot Water: RGB Foldable Films and Ligand Engineering

Keisuke Fujimoto¹, Toma Hayakawa², Yuping Xu¹, Nana Jingu³, and Ken-ichi Saitow^{*1-4}



				SiQD				
1		SiQD						40 mm
0.5	3 mm							2
SiQD					SiQD			12
			8	80			100	
							6	
		6						
				SiQD				
660 nm		530 nm		400 nm				
				34	20		1	
SiQD							12	
		Si-O-Si						2a
		SiQD						
		SiQD						
					6h			
					8			
				80	(2b)		
	SiQD		80	12				85
			15					
	SiQD						1	
	SiQD		80					
10								
11								
	2	SiQD		SiQD		SiQD		3
						(3)	
				SiQD				80
	100					SiQD		
AR								LED VR
						SDGs		12
					7			
						SiQD	LED	
86								2026
								SDGs
		8		9				

1. (a)

(b)

(b) (5) (D)

